

## 1 Channel Network Video Server



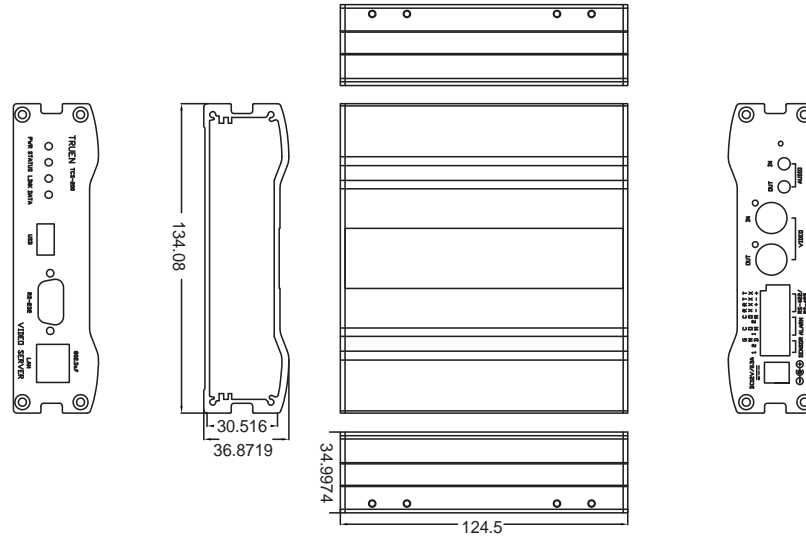
WDV-2005TRX

### MAIN FEATURES

- High-quality H.264 algorithm
- Full-duplex Audio/Video communication
- Max 30fps at D1 resolution
- Video bandwidth: 32kbps ~ 4Mbps
- Video preference mode: CBR/VBR
- Burn-in OSD (Channel name on encoded frame)
- High-quality audio: MP2 (32kbps ~ 128kbps)
- Serial data bandwidth: 2,400bps ~ 115,200bps
- Network media protocol: TCP, UDP, Multicast
- 1 : N, multicast and relay(cascading) configuration
- Dynamic IP network support with Dynamic DNS
- Web-based live monitoring
- Real-time monitoring, recording and playback with dedicated CMS(Central Monitoring System) software
- Internal or external USB port for recording
- PoE(Power over Ethernet) support

# WDV-2005TRX

## DIMENSIONS



## SPECIFICATIONS

MODEL		WDV-2005TRX
System	System model	3 Models: Encoder, Decoder, Duplex
Network	Network Interface	Ethernet 10/100Base-T (RJ-45)
	Network Protocol	TCP/IP, UDP, Multicast, DHCP, PPPoE, SMTP, HTTP, SNMP
Video	Standards	H.264
	Data Rate	32kbps ~ 4Mbps
	Resolution	NTSC : 720x480, 720x240, 352x480, 352x240 PAL: 720x576, 720x288, 352x576, 352x288
	Max Frame Rate	NTSC : Max 30fps / PAL : Max 25fps
	Frame Rate Range	NTSC : 0.2 ~ 30fps / PAL : 0.2 ~ 25fps
	Input	1 Composite (1 Vpp 75 Ohm, BNC)
	Output	1 Composite (1 Vpp 75 Ohm, BNC)
	Video Loss Check	Yes
Audio	Motion Detection	Sensitivity Adjustment, OSD Display
	Standards	MP2
	Sample Rate	32Khz
	Data Rate	32kbps ~ 128kbps
	Input	1 Line-in (Mini-stereo)
Serial Port	Output	1 Line-in (Mini-stereo)
	Port1	RS-232 (D-Sub 9Pin)
	Port2	RS-422/485 (Terminal Block)
Sensor/Alarm/Beep	Data Rate	2,400bps ~ 115,200bps
	Sensor Input	2CH : NC/NO Contact
	Alarm Output	2CH : 1A 30V DC, 0.5A 125V AC
User Interface	Beep	1
	System Status	LED, OSD
Storage	Recording/Backup	Internal or External USB 2.0 Port
Software	True CMS	Live Monitoring, Recording, Search & Playback, Backup
Physical	Dimension	134(W) X 125(D) X 35(H)mm
	Weight	0.52Kg
	Power Source	DC 12V/5A, PoE(Power over Ethernet): 802.3af
	Power Consumption	Max 5W