

WDL-7171M2R

Color Dual 7" TFT LCD Monitors - Rack Mountable 19"

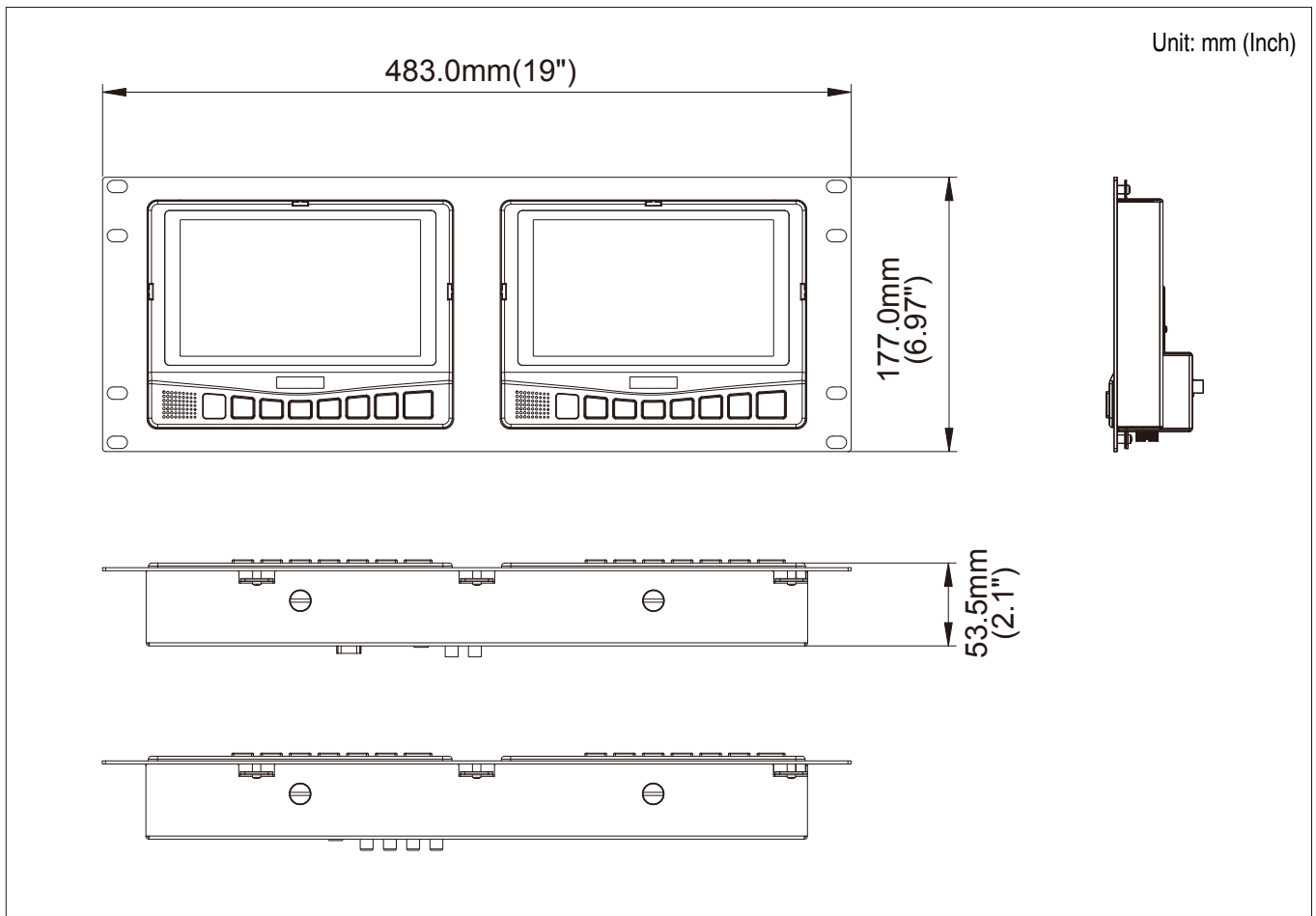
- Dual 7" active matrix LCD panels
- Design fits in EIA standard 19" rack 4U high
- High resolution
(composite: 1440 x 234 pix., RGB: 800 x 480 pix.)
- Brightness panels
(composite: 450cd/m² RGB: 350cd/m²)
- NTSC/PAL versions available (composite only)
- Individual color, brightness, contrast, tint & volume controls
- Wide range input voltage (DC12 ~ 32V)
- Selectable mirror - image mode (composite only)
- Integrated audio speaker



Specification

WDWL-7171M2R	Monitor 1	Monitor 2
Display type	Active matrix color TFT LCD	Active matrix color TFT LCD
Screen size	7" (diagonal)	7" (diagonal)
Viewing angle	Up: 50° / down: 70° / right: 70° / left: 70°	Up: 50° / down: 70° / right: 70° / left: 70°
Pixel pitch (mm)	0.0642 (W) x 0.1790 (H)	0.0642 (W) x 0.1790 (H)
Active area (mm)	154.08 (W) x 85.92 (H)	154.08 (W) x 86.58 (H)
Brightness	400cd/m ²	400cd/m ²
Resolution	800 (W) x 480 (H)	800 (W) x 480 (H)
System type	NTSC / PAL	NTSC / PAL
Input connector	Composite (RCA) x 1, audio (RCA) x 1	Composite (RCA) x 1, audio (RCA) x 1
Power connector	DC power in (DC12V)	DC power in (DC12V)
Power consumption	DC12V ~ 32V (max 19.2W)	DC12V ~ 32V (max 19.2W)
Built-in speakers	with speaker (2W x 2stereo)	with speaker (2W x 2stereo)
Weight (net)	5lbs	5lbs
Size (WxDxH)	19" x 1.9" x 6.97" (483 x 48.5 x 177mm)	19" x 1.9" x 6.97" (483 x 48.5 x 177mm)

Dimension



LCD 7" 400 (cd/m²) 32V Multi volt