

High Resolution Day&Night 10x Zoom Camera

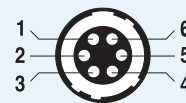


WDN-1003XP

MAIN FEATURES

- Auto focus, Auto iris and Zoom Tracking function
- 10x Optical Zoom
- DNR (Digital Noise Reduction)
- High Sensitivity (0.005Lux)
- High Resolution (500TVL-Color, 570TVL - B/W)
- Day & Night Camera
- 3-Axis Camera Mechanism
- RS-485 Function
- Sub Monitor Function
- Miscellaneous Functions
- Privacy zone masking (max. 32 zones/8 programmable zone per screen)
- Electrical Flip function
- Motion Detection (4 programmable zone per screen)

Video output & Power input terminal

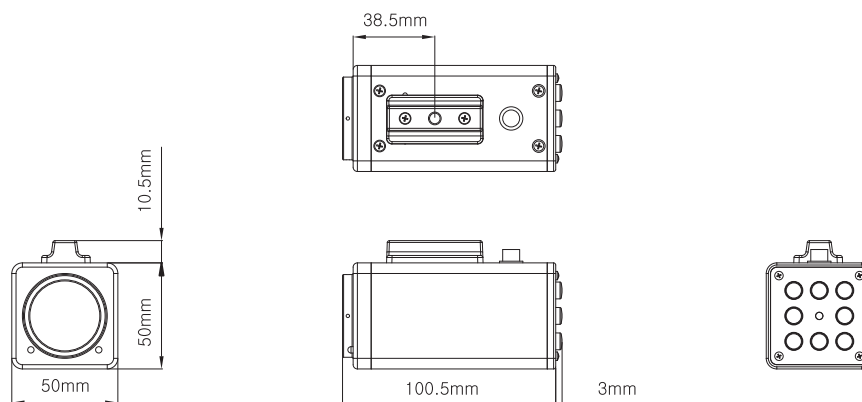


Pin	Description
1	TRX- (RS-485 -)
2	TRX+ (RX-485 +)
3	NC
4	GND
5	VIDEO
6	DC 12V

WELDEX CAN CUSTOMIZE CAMERAS FOR YOUR SPECIFIC NEED!!

WDN-1003XP (High Resolution Day&Night 10x Zoom Camera)

DIMENSIONS



SPECIFICATIONS

SPECIFICATIONS		WDN-1003XP (NTSC)	WDN-1003XP (PAL)
POWER	Input Voltage	DC 12V (± 10%)	
	Input Current	290mA(Steady-state), 460mA(Zoom, Focus, Day&night motor operating)	
	Power Consumption	DC12V - 3.5W Normal, 5.5W Max (Zoom, Focus, Day&Night motor operating)	
CCD	Size	1/4 inch, Interline Transfer CCD	
	Total Pixels	811(H) x 508(V)	795(H) x 596(V)
	Effective Pixels	768(H) x 494(V)	752(H) x 582(V)
OPTICS	Optics	10X, f=3.8 to 38.0mm(F2.8)	
	Min. Focus Distance	1,500mm	
	D. ZOOM	OFF/ON (X2 - X10)	
	Angle Field of view	H: Appr. 51.2° (Wide) to 5.58° (Tele) / V: Appr. 39.3° (Wide) to 4.27° (Tele)	
Sync.	Scanning System	2:1 Interlace	
	Synchronization	Internal / VD-Lock	
	Frequency	H: 15.734 KHz / V:59.94 Hz	H: 15.625 KHz / V:50.00 Hz
ELECTRICAL	Resolution	500 TV Lines(Min.): Color (Wide) / 570 TV Lines(Min.): B/W (Wide)	
	Min. Illumination	0.7 Lux/F1.8, 0.005Lux@F1.8(Sens-up), Color/0.02Lux@F1.8(BW)	
	S/N (Y signal)	50dB (AGC Off, Weight On)	
	Video Output	CVBS: 1.0Vp-p/75Ω	
	Focus	Auto/Manual/One push	
	Zoom Movement Speed	1.67 sec: Wide to Tele	1.75 sec: Wide to Tele
	Iris Control	Auto, Manual	
	Lens Initialize	Built-In	
	Camera Title	OFF/ON (Displayed 15 characters)	
	Camera ID	255 ID Selectable	
	Day & Night	Auto1, Auto2, Color, B/W (ICR)	
	Gain Control	Normal, High, OFF Selectable	
	White Balance	ATW/AWC/Manual (1800°K ~ 10,500°K)	
	Back Light Compensation	LOW/MIDDLE/HIGH/OFF Selectable	
	Electronic shutter speed	Auto (X128 - 1/60sec - 1/120,000 sec) Sens-up and Sens-up Limit is selectable, Flickerless	Auto (X128 - 1/50sec - 1/120,000 sec) Sens-up and Sens-up Limit is selectable, Flickerless
	OSD	Built-In	
	Motion Detection	ON/OFF (4 Programmable Zone per Screen)	
	Communication	RS485 External Control(TRX+, TRX-) 9600,19200, 38400 and 57600bps selectable, PELCO-D PROTOCOL AVAILABLE	
	DNR	LOW/MIDDLE/HIGH/OFF	
	Privacy Function	ON/OFF (32 Zones, It consists of 8 Group 4 Programmable Zone per Screen)	
FLIP	Vertical, Horizontal, Vertical-Horizontal, OFF Selectable		
Preset	8 Position(Store with Internal EEPROM)		
Operating Temperature/Humidity	-10°C to +50°C(14°F to +122°F) / 20% to 80% RH		
Storage Temperature/Humidity	-20°C to +60°C(-4°F to +140°F) / 20% to 95% RH		
Dimensions (WxHxD)	38.9 x 43.7 x 61.67mm (1.53 x 1.72 x 2.42 inch)		
Weight	260g (0.57lbs)		