

High Resolution Day & Night 12x Zoom Camera

WDN-1212X

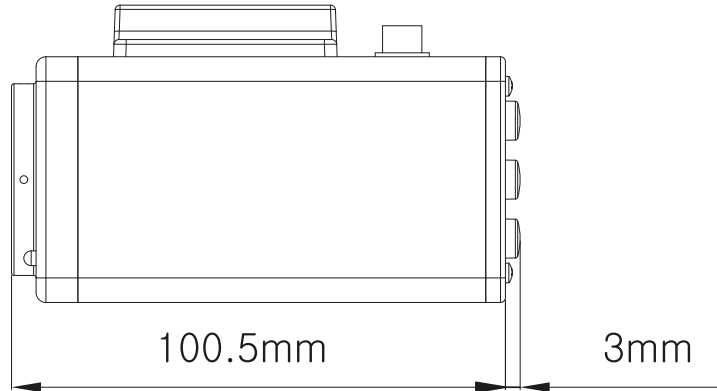
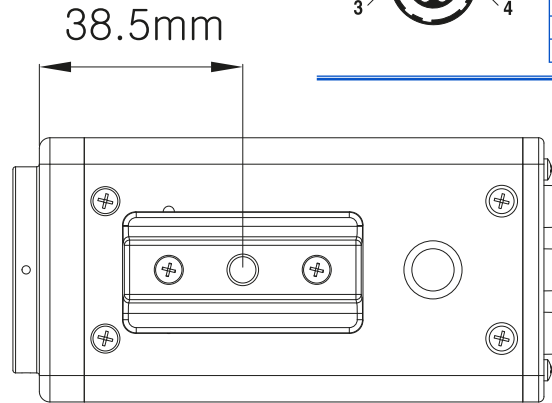
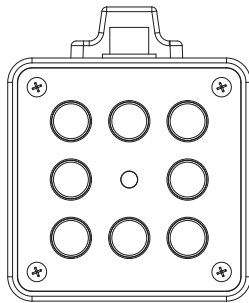
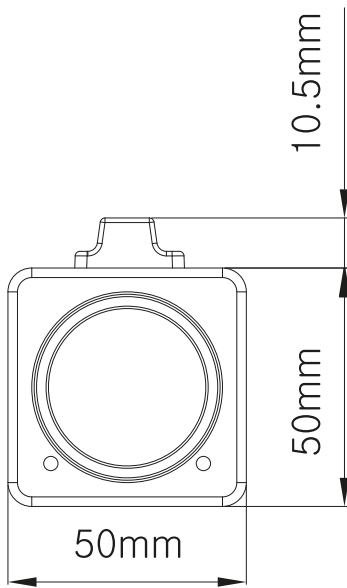


- Auto focus, auto IRIS and zoom tracking function
- 12x optical zoom
- DNR (digital noise reduction)
- High sensitivity (0.005Lux)
- High resolution (500TVL-color, 570TVL-B/W)
- Day & night camera
- Rs-485 function / RS-232 function
- Sub monitor function
- Miscellaneous functions
- Privacy zone masking (max. 32 zones/8 programmable zone per screen)
- Electrical flip function
- Motion detection (4 programmable zone per screen)

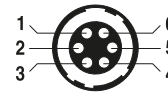
SPECIFICATION

	NTSC	PAL
Input voltage	DC12V (±10%)	
Input current	290mA (steady-state), 460mA (zoom, focus, day & night motor operating)	
Power consumption	DC12V - 3.5W normal, 5.5W max (zoom, focus, day & night motor operating)	
Size	1/4", interline transfer CCD	
Total pixels	811(H) x 508(V)	795(H) x 596(V)
Effective pixels	768(H) x 494(V)	752(H) x 582(V)
Optics	10X, F=3.8 to 38.0mm (F2.8)	
Min. focus distance	1,500mm	
D. zoom	Off / on (x2 ~ x10)	
Angle field of view	H: approx. 51.2° (wide) to 5.58° (tele) / V: approx. 39.3° (wide) to 4.27° (tele)	
Scanning system	2:1 interlace	
Synchronization	Internal / VD-lock	
Frequency	H: 15.734KHz / V: 59.94Hz	H: 15.625KHz / V: 50.00Hz
Resolution	500TV lines (min.): color (wide) / 570TV lines (min.): B/W (wide)	
Min. illumination	0.7Lux / F1.8, 0.005Lux@F1.8 (sens-up), color / 0.02Lux @ F1.8(B/W)	
S/N (Y signal)	50dB (AGC off, weight on)	
Video output	CVBS: 1.0Vp-p/75Ω	
Focus	Auto/manual/one push	
Zoom movement speed	1.67 sec: wide to tele	1.75 sec: wide to tele
IRIS control	Auto, manual	
Lens initialize	Built-in	
Camera title	OFF/ON (displayed 15 characters)	
Camera ID	255 ID selectable	
Day & night	Auto1, auto2, color, B/W (ICR)	
Gain control	Normal, high, off selectable	
White balance	ATW/AWC/manual (1800°K ~ 10,500°K)	
Back light compensation	Low / middle / high / off selectable	
Electronic shutter speed	Auto (X128 - 1/60sec - 1/120,000 sec)sens-up and sens-up limit is selectable, flickerless	Auto (X128 - 1/50sec - 1/120,000 sec)sens-up and sens-up limit is selectable, flickerless
OSD	Built-in	
Motion detection	On / off (4 programmable zone per screen)	
Communication	RS232/RS485 external control(TRX+, TRX-) 9600, 19200, 38400 and 57600bps selectable, PELCO-D PROTOCOL Available	
DNR	Low / middle / high / off	
Privacy function	On/off (32 zones, it consists of 8 group 4 programmable zone per screen)	
FLIP	Vertical, horizontal, vertical-horizontal, off selectable	
Preset	8 position(store with internal EEPROM)	
Operating temp. / hum.	-10°C to +50°C(14°F to +122°F) / 20% to 80% RH	
Storage temp. / hum.	-20°C to +60°C(-4°F to +140°F) / 20% to 95% RH	
Dimensions (W x H x D)	38.9 x 43.7 x 61.67mm (1.53 x 1.72 x 2.42 Inch)	
Weight	260g (0.57lbs)	

/ DIMENSIONS



Video output & Power input terminal



Pin	Description
1	TRX-(RS-485-)
2	TRX+(RX-485+)
3	NC
4	GND
5	VIDEO
6	DC12V