

## Vari-Focal Day/Night Bullet Camera with IR LED Illumination



DC Cameras  
WDB-6685VDN-266  
WDB-6685VDN-312  
WDB-6685VDN-922

AC Cameras  
WDBAC-6685VDN-266  
WDBAC-6685VDN-312  
WDBAC-6685VDN-922

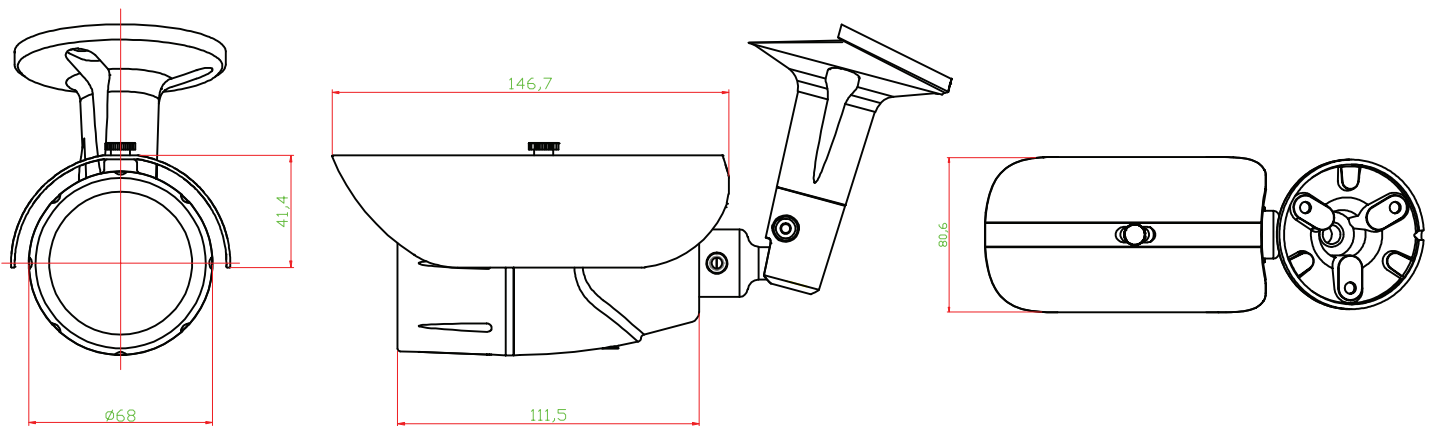
### MAIN FEATURES

- Day & Night 1/3" Sony Super HAD Color CCD Sensor
- Vandal-resistant Housing
- Infrared LED Illumination - Up to 100ft
- High Resolution - 540TVL
- Low Angle Tilting
- Sunshield
- Vari-Focal Length with Auto IRIS (2.6-6mm, 3.5-12mm, 9-22mm)

**WELDEX CAN CUSTOMIZE CAMERAS FOR YOUR SPECIFIC NEED!!**

# WDB-6685VDN Series (Vari-Focal Day/Night Bullet Camera with IR LED)

## DIMENSIONS



SPECIFICATIONS	NTSC	PAL
Input Voltage	AC 24 ( <b>WDBAC Series</b> ), 12 VDC ( <b>WDB Series</b> )	
Input Current	IR LED Off 160mA / IR LED On Max 400mA	
Power Consumption	3 Watt	
Video Connector	BNC	
Power Connector	Bare Leads ( <b>WDBAC Series</b> ), Barrel Plug Connector ( <b>WDB Series</b> )	
LED (Distance Range)	30 LEDs (80ft~100ft Max)	
Pixels	537 (H) x 505 (V) 270K pixels	537 (H) x 599 (V) 320K pixels
Effective Pixels	510 (H) x 492 (V) 250K pixels	500 (H) x 582 (V) 290K pixels
Video Output	1.0Vp-p 75 Ohm	
Minimum Illumination	0.3 Lux at F1.2/AGC ON, 0 Lux at IR ON	
Electronic IRIS	1/60~1/120,000 sec	1/50~1/120,000 sec
White Balance	ATW / AWC / Indoor / Outdoor / Fluorescent lamp light	
Gamma	$\gamma=0.45$	
IRIS Mode	DC IRIS	
S/N Ratio	48dB [AGC OFF]	
AGC	Built - in [AGC ON]	
Sync System	Internal only	
BLC	Built-in [ON/OFF Selectable] option	
Operating Temp.	+14°F ~ +122°F	
Dimensions	111.5mm (D) x 68mm (H)	
Weight	1.3 lbs	

DC Camera	IMAGE SENSOR	POWER REQ.	RESOLUTION	LENS
<b>WDB-6685VDN-266</b>	1/3" Super HAD SONY CCD	DC 12V	540 TVL (560 TVL B/W)	2.6-6mm Vari-Focal Auto IRIS
<b>WDB-6685VDN-312</b>	1/3" Super HAD SONY CCD	DC 12V	540 TVL (560 TVL B/W)	3.5-12mm Vari-Focal Auto IRIS
<b>WDB-6685VDN-922</b>	1/3" Super HAD SONY CCD	DC 12V	540 TVL (560 TVL B/W)	9.0-22mm Vari-Focal Auto IRIS
AC Camera	IMAGE SENSOR	POWER REQ.	RESOLUTION	LENS
<b>WDBAC-6685VDN-266</b>	1/3" Super HAD SONY CCD	AC 24V	540 TVL (560 TVL B/W)	2.6-6mm Vari-Focal Auto IRIS
<b>WDBAC-6685VDN-312</b>	1/3" Super HAD SONY CCD	AC 24V	540 TVL (560 TVL B/W)	3.5-12mm Vari-Focal Auto IRIS
<b>WDBAC-6685VDN-922</b>	1/3" Super HAD SONY CCD	AC 24V	540 TVL (560 TVL B/W)	9.0-22mm Vari-Focal Auto IRIS