

High Res Day/Night Bullet Camera with IR LED Illumination



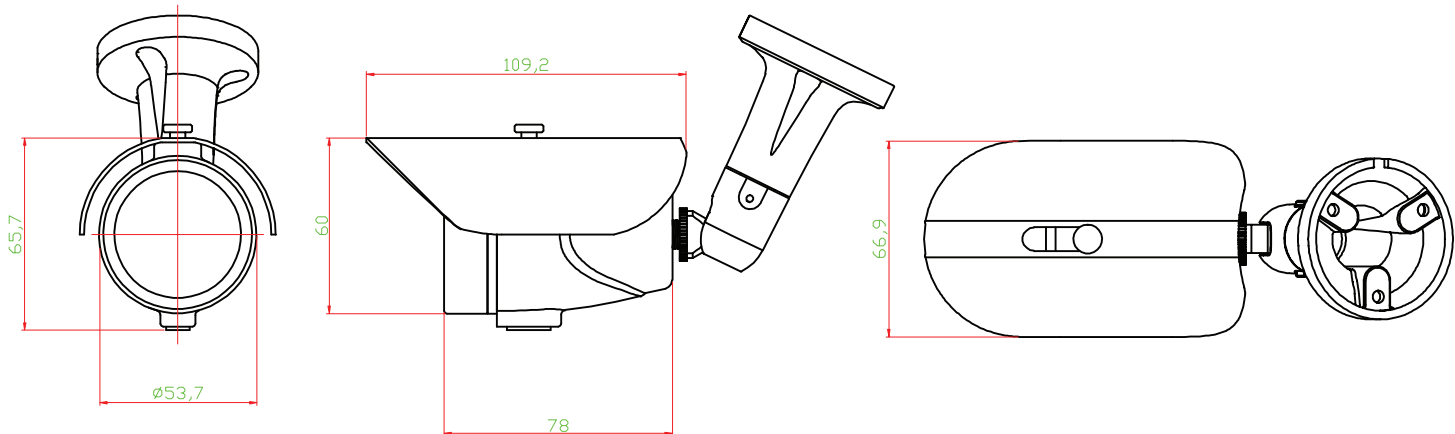
MAIN FEATURES

- Day & Night 1/3" Sony Super HAD Color CCD Sensor
- Vandal-resistant Housing
- Infrared LED Illumination - Up to 100ft
- High Resolution - 540TVL
- Low Angle Tilting
- Sunshield
- Fixed Lens 3.6mm

WELDEX CAN CUSTOMIZE CAMERAS FOR YOUR SPECIFIC NEED!!

WDB-6605FDN (High Res Day/Night Bullet Camera with IR LED)

DIMENSIONS



SPECIFICATIONS	NTSC	PAL
Input Voltage	12 VDC	
Input Current	IR LED Off 90mA / IR LED On Max 400mA	
Power Consumption	3 Watt	
Video Connector	BNC	
Power Connector	Barrel Plug Connector	
LED (Distance Range)	30 LEDs (80ft~100ft Max)	
Pixels	811 (H) x 508 (V) 410K pixels	795 (H) x 596 (V) 470K pixels
Effective Pixels	768 (H) x 494 (V) 380K pixels	752 (H) x 582 (V) 440K pixels
Video Output	1.0Vp-p 75 Ohm	
Image Sensor	1/3" Interline Transfer Super HAD II Sony CCD 410K	
Resolution	540 TVL (560 TVL B/W)	
Minimum Illumination	0.4 Lux at F1.2/AGC ON, 0 Lux at IR ON	
Electronic IRIS	1/60~1/120,000 sec	1/50~ 1/120,000 sec
White Balance	ATW / AWC / Indoor / Outdoor / Fluorescent lamp light	
Gamma	r=0.45	
IRIS Mode	ESC	
S/N Ratio	48dB [AGC OFF]	
AGC	Built - in [AGC ON]	
Sync System	Internal only	
BLC	Built-in [ON/OFF Selectable] option	
Operating Temp.	+14°F ~ +122°F	
Dimensions	78mm (D) x 53.7mm (H)	
Weight	0.9 lbs	