

1/3" Color and B&W Armordome Cameras



**WDD-6400 Series (AC24V)
WDD-7500 Series (DC12V)**

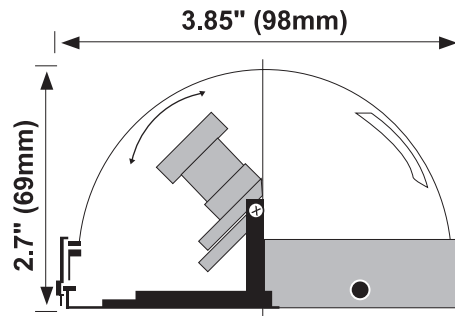
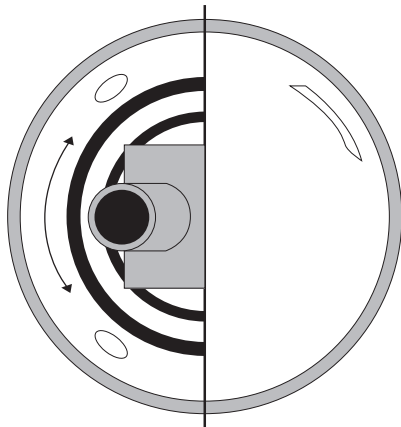
MAIN FEATURES

- Mini High Impact Armordome That Allows for Unobtrusive Video Monitoring While Still Providing Ultimate Protection for The Camera
- Tamper-Proof Hardware Adds Extra Protection Against Vandalism
- Manual Pan and Tilt Adjustments Make This Camera Easy to Install On Vertical or Horizontal Surfaces
- Automatic Back Light Compensation
- Digital Signal Processing (DSP) Provides Unmatched Picture Quality
- Heavy-Duty All Metal Armordome Base and Swivel Bracket Makes for The Most Rugged Camera Enclosure Available On The Market
- Camera Options Include: Color and B&W, Normal Resolution (720/430 TVL) and High Resolution (570 TVL), 24V AC and 12V DC Power Requirements

WELDEX CAN CUSTOMIZE CAMERAS FOR YOUR SPECIFIC NEED!!

WDD-6400, WDD-7500 Series (1/3" Color and B&W Armordome Cameras)

DIMENSIONS



Surface mount dome camera on ceilings, walls, poles or other solid areas

SPECIFICATIONS

Electrical

Input Voltage	AC-24 Volt (WDD-6400 Series), DC-12 Volt (WDD-7500 Series)
Power Consumption	200mA or less
Video Connector	BNC
Power Connector	Bare Leads, 2.1 mm Barrel Plug

Video

Pixels	High Resolution - 768 (H) x 494 (V), Normal Resolution - 512 (H) x 492 (V)
S/N Ratio	More than 48dB
Video Output	1.0Vp-p 75ohm
CCD	1/3" Color DSP and 1/3" Monochrome
Back Light (BLC)	Automatic

Physical

Construction	Heavy Duty Metal Base and Swivel Bracket - Polycarbonate Dome Cover
Color	Black (Beige Available)
Cable Entry	1/2" Hole on bottom plate
Manual Pan/Tilt Adjustment	75 Degree Pan / 90 Degree Tilt (When installed)
Lens	Fixed 3.6mm (2.2, 2.5, 2.9, 4.3, 6.0, 8.0, 12.0, and 16.0mm available)
Dimensions	3.85" DIA. x 2.7" H

Environment

Operating Temp.	+4 Deg. F to +158 Deg. F
Storage Temp.	-4 Deg. F to +160 Deg. F
NEMA Rating	Type 2

COLOR CAMERA	IMAGE SENSOR	POWER REQ.	RESOLUTION	LUX	LENS
WDD-6400C	1/3" COLOR DSP	24 VOLT AC	420 TV LINES	0.3	Fixed 3.6mm Others Available
WDD-6405C	1/3" COLOR DSP	24 VOLT AC	570 TV LINES	0.3	Fixed 3.6mm Others Available
WDD-7500C	1/3" COLOR DSP	12 VOLT DC	420 TV LINES	0.3	Fixed 3.6mm Others Available
WDD-7505C	1/3" COLOR DSP	12 VOLT DC	570 TV LINES	0.3	Fixed 3.6mm Others Available

B&W CAMERA	IMAGE SENSOR	POWER REQ.	RESOLUTION	LUX	LENS
WDD-6400B	1/3" B&W	24 VOLT AC	570 TV LINES	0.03	Fixed 3.6mm Others Available
WDD-7500B	1/3" B&W	12 VOLT DC	430 TV LINES	0.03	Fixed 3.6mm Others Available